

Ron 2150 Shackle Type Dynamometer with 2"/50mm Attachable Display

ADVANTAGES



5 year warranty

Portable: Lightweight and small. Available with Pelican™ carrying case.

Highly Accurate: $\pm 0.1\%$ of full range - important for early overload detection.

Flexible: Indicator can be hand-held or attached to load cell.

Readable: Large digits can be read from a distance.

Excellent battery life: Up to 2000 Hours (3x AA batteries).

Quality Materials: Exclusive use of high strength aerospace quality steel for load cell bodies.

Fatigue rated: All Eilon Engineering load cells are Fatigue Rated according to ASME BTH-1 and IEC 61508. Fatigue Rated means an unlimited number of load cycles (Provided capacity is not exceeded).

Robust: Heavy duty designs with shock absorbing mechanisms.

Unique: Shackle holes offset 90 degrees reduce external moments for greater safety and accuracy.

Minimal Headroom loss: Smallest on the market - important for indoor applications.

Short delivery time: In most cases 48-72 hours.

More than 45 years in the market with repeat customers such as NASA, Boeing, Cirque du Soleil, Disney, GE, Lockheed Martin, other Fortune 500 companies, as well as numerous small businesses.

TECHNICAL SPECIFICATIONS



Safety factor: 5:1

Accuracy: 0.1% of full range.

Calibration: User calibration. Initial factory calibration, fully traceable (certified).

Load Cell Material: high-strength, aerospace quality, alloy steel, polyurethane coated.

Proof Load: Each system proof-loaded to 200% of capacity (certified) up to a test force of 400t.

Display: 5/6 digits, 2" (50mm) liquid crystal display. Overload warnings (100%/130%), Max (peak hold), low battery indication, Gross/Net. Refresh rate 1Hz.

Sampling Rate: 200 per second.

Functions: Zero. Tare. Battery charge level indication. Low battery warning. Max. (peak hold). Sleep mode, wakes automatically when loaded.

Units: User selectable units (metric tons, short tons, kgs., lbs., Newtons, Deca-Newtons, Kilo-Newtons).

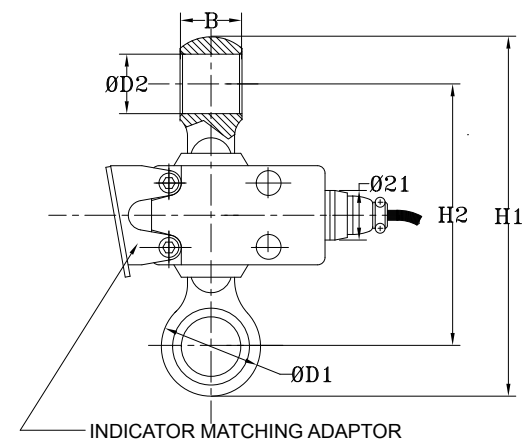
Housing: Aluminum indicator, ABS load cell.

Temperature Range:

Load cell: -15°F to $+175^{\circ}\text{F}$ (-25°C to $+80^{\circ}\text{C}$).

Indicator: -4°F to $+158^{\circ}\text{F}$ (-20°C to $+70^{\circ}\text{C}$).

Environmental: IP65 (Optional IP67 Load Cell).



Shackles not included

Cat no.	Full range		Resolution		Load Cell weight		Cable length		H1 (max.)		H2 (max.)		B (max.)		Ø D1 (max.)		Ø D2 (min.)		Matching anchor shackle size*
	tons	kgs	lbs	kgs	lbs	m	ft	mm	inch	mm	inch	mm	inch	mm	inch	mm	inch	inch	
S-005	0.5	0.1	0.2	0.3	0.7	5	16	92	3.6	16	0.6	84	3.30	31	1.2	21	0.8	1/2 7/16 3/8	
S-01	1	0.2	0.5	0.3	0.7	5	16	92	3.6	16	0.6	84	3.30	31	1.2	21	0.8	1/2 7/16 3/8	
S-02	2	0.5	1	0.3	0.7	5	16	92	3.6	16	0.6	84	3.30	31	1.2	17	0.7	1/2 7/16 3/8	
S-03	3	0.5	1	0.3	0.7	5	16	100	3.9	19	0.7	84	3.30	37	1.5	21	0.8	5/8 1/2	
S-05	5	1	2	0.5	1	5	16	105	4.1	26	1	84	3.30	43	1.7	23	0.9	3/4 5/8	
S-10	10	2	5	1.4	3.1	5	16	131	5.2	41	1.6	116	4.6	61	2.4	36	1.4	1 1/4 1 1/8 1	
S-12	12.5	2	5	1.4	3.1	5	16	131	5.2	41	1.6	116	4.6	61	2.4	36	1.4	1 1/4 1 1/8 1	
S-15	15	2	5	2.5	5.5	5	16	146	5.7	45	1.8	116	4.6	75	3	40	1.6	1 3/8 1 1/4 1 1/8	
S-20	20	5	10	2.5	5.5	5	16	146	5.7	45	1.8	116	4.6	75	3	40	1.6	1 3/8	
S-25	25	5	10	3.7	8	5	16	150	5.9	58	2.3	116	4.6	87	3.4	44	1.7	1 1/2	
S-30	30	5	10	3.7	8	5	16	150	5.9	58	2.3	116	4.6	87	3.4	44	1.7	1 1/2	
S-40	40	10	20	8	17	10	32	195	7.7	71	2.8	116	4.6	115	4.5	60	2.4	2 1 3/4	
S-50	55	10	20	8	17	10	32	195	7.7	71	2.8	133	5.2	115	4.5	60	2.4	2	
S-80	85	20	50	18	40	10	32	255	10	97	3.8	185	7.3	145	5.7	76	3	2 1/2	
S-100	100	20	50	28	60	15	49	275	10.8	121	4.8	182	7.2	165	6.5	81	3.2	Widebody 125t	
S-125	125	20	50	28	60	15	49	275	10.8	121	4.8	182	7.2	165	6.5	81	3.2	Widebody 125t	
S-150	150	20	50	57	121	15	49	350	13.8	145	5.7	211	8.3	210	8.3	106	4.2	Widebody 200t	
S-200	200	50	100	57	121	15	49	350	13.8	145	5.7	211	8.3	210	8.3	106	4.2	Widebody 200t	
S-250	250	50	100	106	225	15	49	490	19.3	178	7	285	11.2	260	10.2	138	5.4	Widebody 250t or 300t	
S-300	300	50	100	106	225	15	49	490	19.3	178	7	285	11.2	260	10.2	138	5.4	Widebody 300t	

> USE SHACKLES WITH S.W.L. (SAFE WORKING LOAD) EQUAL TO, OR GREATER THAN SYSTEM'S FULL RANGE.

> The company reserves the right to make changes without notice.

OPTIONS



- > 1 or 2 user-adjustable set points
- > Additional 0.5"/12mm LCD display with cable connection to indicator or wireless
- > Additional 1"/25mm LCD display with cable connection to indicator or wireless
- > Additional 2"/50mm LCD display with cable connection to indicator or wireless
- > Additional 5"/125mm LED display with cable connection to indicator or wireless
- > Additional extension cable in 15ft/5m increments
- > Analog output: 0 to 3V
- > Analog output: 4 to 20 mA
- > Robust sealed carrying case: Pelican or equivalent.
- > Dampened display for unstable load
- > Automatic/Manual Data Logger - Up to 50,000 measurements
- > IP 67 load cell with special off-shore capability
- > Longer extension cable in 15ft/5m increments
- > Number of measurements per second: 1, 2, 3, factory set
- > Real-time clock: date, hour, minute, second adds time stamp to RS-232 output
- > Rechargeable batteries with an external charger
- > Rope falls multiplier, user selectable
- > RS-232 - continuous or on demand data output, user-selectable
- > RS-485 - continuous or on demand data output, user-selectable
- > Totalizer
- > Totalizer with Data Logging
- > Wireless communication to additional display or PC
- > USB