

# Ron 2125 Shackle Type Dynamometer with 1"/25mm Attachable Display

## ADVANTAGES



### 5 year warranty

**Portable:** Lightweight and small. Available with Pelican™ carrying case.

**Highly Accurate:**  $\pm 0.1\%$  of full range - important for early overload detection.

**Readable:** Larger digits and backlit display.

**Flexible:** Indicator can be hand-held or attached to load cell (up to 12.5t).

**Excellent battery life:** Up to 2000 Hours (3x AA batteries).

**Quality Materials:** Exclusive use of high strength aerospace quality steel for load cell bodies

**Fatigue rated:** All Eilon Engineering load cells are Fatigue Rated according to ASME BTH-1 and IEC 61508. Fatigue Rated means an unlimited number of load cycles (Provided capacity is not exceeded).

**Robust:** Heavy duty designs with shock absorbing mechanisms.

**Unique:** Shackle holes offset 90 degrees reduce external moments for greater safety and accuracy.

**Minimal Headroom loss:** Smallest on the market - important for indoor applications.

**Advanced options:** Auto/Manual Data Logger, RS232, Additional Displays.

**Short delivery time:** In most cases 48-72 hours.

**More than 45 years** in the market with repeat customers such as NASA, Boeing, Cirque du Soleil, Disney, GE, Lockheed Martin, other Fortune 500 companies, as well as numerous small businesses.

## TECHNICAL SPECIFICATIONS



**Safety factor:** 5:1

**Accuracy:** 0.1% of full range.

**Calibration:** User calibration. Initial factory calibration, fully traceable (certified).

**Load Cell Material:** high-strength, aerospace quality, alloy steel, polyurethane coated.

**Proof Load:** Each system proof-loaded to 200% of capacity (certified) up to a test force of 400t.

**Display:** 6 digits, 1" (25mm) liquid crystal display. Overload warnings (100%/130%), Max (peak hold), low battery indication, Gross/Net. Refresh rate 1Hz.

**Sampling Rate:** 200 per second.

**Functions:** Zero. Tare. Battery charge level indication. Low battery warning. Max. (peak hold). Sleep mode, wakes automatically when loaded.

**Units:** User selectable units (metric tons, short tons, kgs., lbs., Newtons, Deca-Newtons, Kilo-Newtons).

**Housing:** Aluminum indicator, ABS load cell.

### Temperature Range:

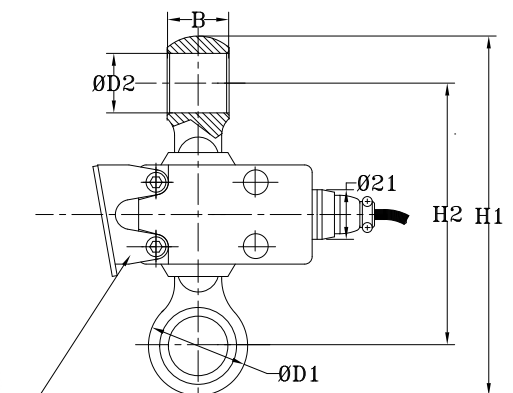
Load cell:  $-15^{\circ}\text{F}$  to  $+175^{\circ}\text{F}$  ( $-25^{\circ}\text{C}$  to  $+80^{\circ}\text{C}$ ).

Indicator:  $-4^{\circ}\text{F}$  to  $+158^{\circ}\text{F}$  ( $-20^{\circ}\text{C}$  to  $+70^{\circ}\text{C}$ ).

**Environmental:** IP65 (Optional IP67 Load Cell).



Shackles not included



INDICATOR MATCHING ADAPTOR  
STANDARD UP TO 12.5t CAP.

Cat no.	Full range		Resolution		Load Cell weight		Cable length		H1 (max.)		H2 (max.)		B (max.)		Ø D1 (max.)		Ø D2 (min.)		Matching anchor shackle size*
	tons		kgs	lbs	kgs	lbs	m	ft	mm	inch	mm	inch	mm	inch	mm	inch	mm	inch	
S-005	0.5		0.1	0.2	0.3	0.7	5	16	92	3.6	16	0.6	84	3.30	31	1.2	21	0.8	1/2 7/16 3/8
S-01	1		0.2	0.5	0.3	0.7	5	16	92	3.6	16	0.6	84	3.30	31	1.2	21	0.8	1/2 7/16 3/8
S-02	2		0.5	1	0.3	0.7	5	16	92	3.6	16	0.6	84	3.30	31	1.2	17	0.7	1/2 7/16 3/8
S-03	3		0.5	1	0.3	0.7	5	16	100	3.9	19	0.7	84	3.30	37	1.5	21	0.8	5/8 1/2
S-05	5		1	2	0.5	1	5	16	105	4.1	26	1	84	3.30	43	1.7	23	0.9	3/4 5/8
S-10	10		2	5	1.4	3.1	5	16	131	5.2	41	1.6	116	4.6	61	2.4	36	1.4	1 1/4 1 1/8 1
S-12	12.5		2	5	1.4	3.1	5	16	131	5.2	41	1.6	116	4.6	61	2.4	36	1.4	1 1/4 1 1/8 1
S-15	15		2	5	2.5	5.5	5	16	146	5.7	45	1.8	116	4.6	75	3	40	1.6	1 3/8 1 1/4 1 1/8
S-20	20		5	10	2.5	5.5	5	16	146	5.7	45	1.8	116	4.6	75	3	40	1.6	1 3/8
S-25	25		5	10	3.7	8	5	16	150	5.9	58	2.3	116	4.6	87	3.4	44	1.7	1 1/2
S-30	30		5	10	3.7	8	5	16	150	5.9	58	2.3	116	4.6	87	3.4	44	1.7	1 1/2
S-40	40		10	20	8	17	10	32	195	7.7	71	2.8	116	4.6	115	4.5	60	2.4	2 1 3/4
S-50	55		10	20	8	17	10	32	195	7.7	71	2.8	133	5.2	115	4.5	60	2.4	2
S-80	85		20	50	18	40	10	32	255	10	97	3.8	185	7.3	145	5.7	76	3	2 1/2
S-100	100		20	50	28	60	15	49	275	10.8	121	4.8	182	7.2	165	6.5	81	3.2	Widebody 125t
S-125	125		20	50	28	60	15	49	275	10.8	121	4.8	182	7.2	165	6.5	81	3.2	Widebody 125t
S-150	150		20	50	57	121	15	49	350	13.8	145	5.7	211	8.3	210	8.3	106	4.2	Widebody 200t
S-200	200		50	100	57	121	15	49	350	13.8	145	5.7	211	8.3	210	8.3	106	4.2	Widebody 200t
S-250	250		50	100	106	225	15	49	490	19.3	178	7	285	11.2	260	10.2	138	5.4	Widebody 250t or 300t
S-300	300		50	100	106	225	15	49	490	19.3	178	7	285	11.2	260	10.2	138	5.4	Widebody 300t

> USE SHACKLES WITH S.W.L. (SAFE WORKING LOAD) EQUAL TO, OR GREATER THAN SYSTEM'S FULL RANGE.

> The company reserves the right to make changes without notice.

## OPTIONS



- > 1 or 2 user-adjustable set points
- > Additional 0.5"/12mm LCD display with cable connection to indicator or wireless
- > Additional 1"/25mm LCD display with cable connection to indicator or wireless
- > Additional 2"/50mm LCD display with cable connection to indicator or wireless
- > Additional 5"/125mm LED display with cable connection to indicator or wireless
- > Additional extension cable in 15ft/5m increments
- > Analog output: 0 to 3V
- > Analog output: 4 to 20 mA
- > Robust sealed carrying case: Pelican or equivalent.
- > Dampened display for unstable load
- > Automatic/Manual Data Logger - Up to 50,000 measurements
- > IP 67 load cell with special off-shore capability
- > Longer extension cable in 15ft/5m increments
- > Number of measurements per second: 1, 2, 3, factory set
- > Real-time clock: date, hour, minute, second adds time stamp to RS-232 output
- > Rechargeable batteries with an external charger
- > Rope falls multiplier, user selectable
- > RS-232 - continuous or on demand data output, user-selectable
- > RS-485 - continuous or on demand data output, user-selectable
- > Totalizer
- > Totalizer with Data Logging
- > Wireless communication to additional display or PC
- > USB