

## Load Monitoring - Crane Scales

# Ron 3025 Crane Scale with 1"/25mm Display

### ADVANTAGES



#### 5 year warranty

**Portable:** Lightweight and small.

**Highly Accurate:**  $\pm 0.1\%$  of full range - important for early overload detection.

**Heavy-Duty:** Aluminum housing and optional protective cage.

**Protective Cage:** High quality cage mounted on rubber cushions for protection against external impacts.

**Excellent battery life:** Up to 2000 Hours (3x AA batteries).

**Quality Materials:** Exclusive use of high strength aerospace quality steel for load cell bodies.

**Fatigue rated:** All Eilon Engineering load cells are Fatigue Rated according to ASME BTH-1 and IEC 61508. Fatigue Rated means an unlimited number of load cycles (Provided capacity is not exceeded).

**Robust:** Heavy duty designs with shock absorbing mechanisms.

**Minimal Headroom loss:** Smallest on the market - important for indoor applications.

**Short delivery time:** In most cases 48-72 hours.

**Remote Control:** Optional.

**More than 40 years** in the market with repeat customers such as NASA, Boeing, Cirque du Soleil, Disney, GE, Lockheed Martin, other Fortune 500 companies, as well as numerous small businesses.



### TECHNICAL SPECIFICATIONS



**Safety factor:** Load cell body - 5:1. Hook - at least 4:1

**Accuracy:** 0.1% of full range.

**Calibration:** User calibration. Initial factory calibration, fully traceable (certified).

**Load Cell Material:** high-strength, aerospace quality, alloy steel.

**Proof Load:** Each system proof-loaded to 200% of capacity (certified)

**Display:** 5/6 digits, 1" (25mm) liquid crystal display. Overload warnings (100%/130%), Max (peak hold), low battery indication, Gross/Net. Refresh rate 1Hz.

**Sampling Rate:** 200 per second.

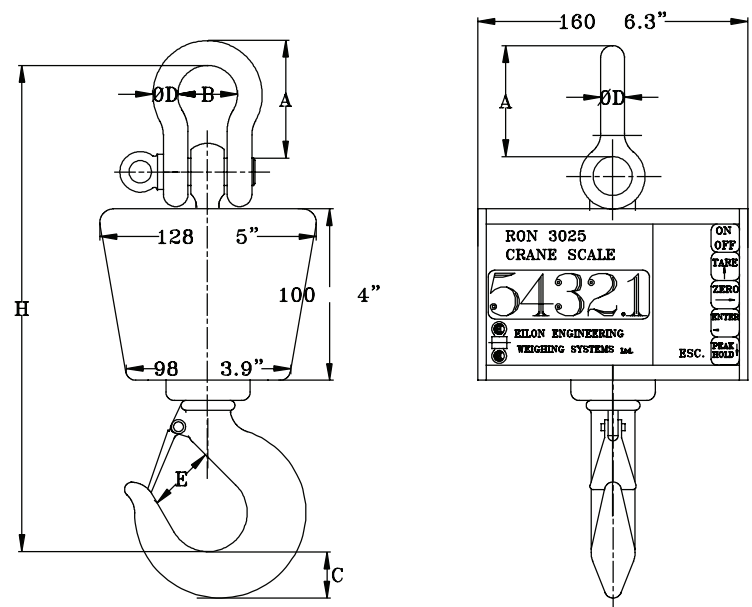
**Functions:** Zero. Tare. Battery charge level indication. Low battery warning. Max. (peak hold). Sleep mode, wakes automatically when loaded.

**Units:** User selectable units (metric tons, short tons, kgs., lbs., Newtons, Deca-Newtons, Kilo-Newtons).

**Housing:** Extruded Aluminum.

**Temperature Range:**  $-4^{\circ}\text{F}$  to  $+158^{\circ}\text{F}$  ( $-20^{\circ}\text{C}$  to  $+70^{\circ}\text{C}$ ).

**Environmental:** IP65



Cat no.	Capacity		Resolution		A		B		C*		Ø D		E*		H	
	ton	kg.	lbs	mm.	inch	mm.	inch	mm.	inch	mm.	inch	mm.	inch	mm.	inch	
CW-005	0.5	0.1	0.2	30	1.2	26	1	28	1.1	10	0.4	25	1	335	13.2	
CW-001	1	0.2	0.5	30	1.2	26	1	28	1.1	10	0.4	25	1	335	13.2	
CW-012	1.25	0.2	0.5	30	1.2	26	1	28	1.1	10	0.4	25	1	335	13.2	
CW-016	1.6	0.5	1	30	1.2	26	1	28	1.1	10	0.4	25	1	335	13.2	
CW-02	2	0.5	1	30	1.2	26	1	28	1.1	10	0.4	25	1	335	13.2	
CW-025	2.5	0.5	1	40	1.6	33	1.3	36	1.4	13	0.5	34	1.3	400	15.7	
CW-03	3	0.5	1	40	1.6	33	1.3	36	1.4	13	0.5	34	1.3	400	15.7	
CW-032	3.2	0.5	1	40	1.6	33	1.3	36	1.4	13	0.5	34	1.3	400	15.7	
CW-05	5	1	2	50	2	43	1.7	34	1.4	16	0.6	41	1.6	423	16.7	
CW-08	8	2	5	69	2.7	58	2.3	48	1.9	25	1	43	1.7	500	19.7	
CW-10	10	2	5	82	3.2	68	2.7	58	2.3	25	1	56	2.2	554	21.8	
CW-12	12.5	2	5	82	3.2	68	2.7	58	2.3	25	1	56	2.2	554	21.8	

> The company reserves the right to make changes without notice.

\* C & E dimensions subject to change. For current dimensions - contact us.

## OPTIONS



- > Shock absorbing cage for protection against external impacts
- > 1 or 2 user-adjustable set points
- > Additional 0.5"/12 mm LCD display with cable connection or wireless
- > Additional 1"/25 mm LCD display with cable connection or wireless
- > Additional 2"/50 mm LCD display with cable connection or wireless
- > Additional 5"/125 mm LED display with cable connection or wireless
- > Analog output: 0 to 3V
- > Analog output: 4 to 20 mA
- > Dampened display for unstable load
- > Automatic/Manual Data Logger - Up to 50,000 measurements
- > Remote Control
- > Number of measurements per second: 1, 2, 3, factory set
- > Real-time clock: date, hour, minute, second adds time stamp to RS-232 output
- > Rechargeable batteries with an external charger
- > RS-232 - continuous or on demand data output, user-selectable
- > RS-485 - continuous or on demand data output, user-selectable
- > Totalizer
- > Totalizer with Data Logging
- > Wireless communication to additional display or PC
- > USB